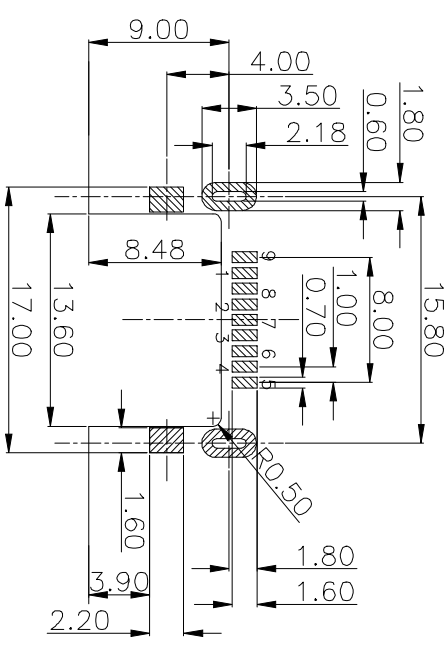
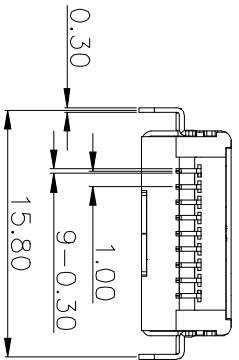
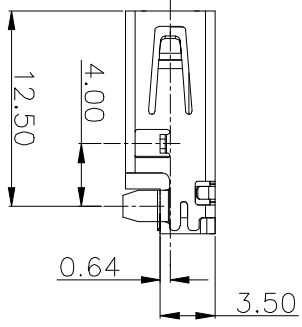
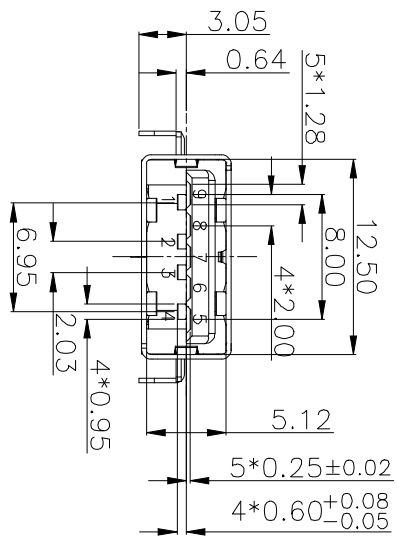
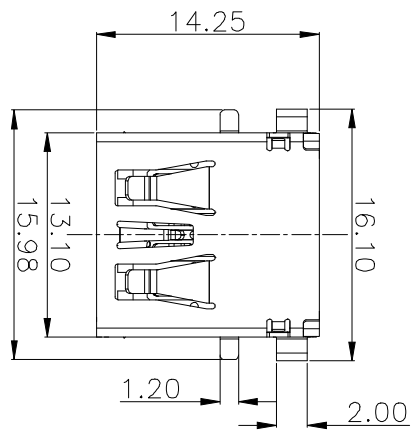


CATEGORY	DESCRIPTION	P/N #
CONNECTOR	USB 3.0 A母90度沉板SMT带壳叉脚	UB9F-XXX11-XLRV5004



REV.	ECN NO	DESCRIPTION	REVISED	DATE
A01	—	New Release	KELLY	2013.06.21

- NOTES:
- ELECTRONIC: CONTACT RESISTANCE: 30mohm MAX  
INSULATION RESISTANCE: 1000 Mohm MIN  
WITHSTAND VOLTAGE:AC 500V,1min.
  - MECHANICAL: STANDARD DURABILITY: 1500 CYCLES.  
HIGH DURABILITY: 5000 CYCLES
  - ENVIRONMENT CHARACTERISTICS: OPERTING TEMPERATURE:-25°C TO +85°C

4. MATERIAL LIST:

No.	PART NAME	QTY	MATERIAL	REMARK
3	SHELL	1	COPPER ALLOY	NI PLATED
2	CONTACT	9	COPPER ALLOY	AU/TIN PLATED
1	HOUSING	1	THERMOPLASTIC	(UL 94V-0) BLUE

UB9F-XXX11-XLRV5004

Table 1		Table 3	
X	屏蔽壳材质	Material & Plating	
B	BRASS	X	Terminal Plating
S	Steel	0	Au 1u" Plating
Table 2		1	Au 15u" Plating
X	塑胶颜色区分		
B	BLACK		
U	BLUE		

UNLESS OTHERWISE SPECIFIED TOLERANCES

DECIMALS: ANGLES:

±0.5 X ±2°  
±0.38 X.X ±1°  
±0.25 X.XX

SCALE: 1/1 UNIT: mm DWG. NO:

SIZE: A3 PAGE: 1 OF 1 REV: A01

APPROVED BY: TNOY CHECKED BY: BILL PREPARED BY: KELLY

CUSTOMER COPY

**东莞市合陵电子有限公司**  
Dongguan Heling Electronic Co.,LTD

RECOMMENDED P.C.B LAYOUT(1.0~1.60±0.05)